



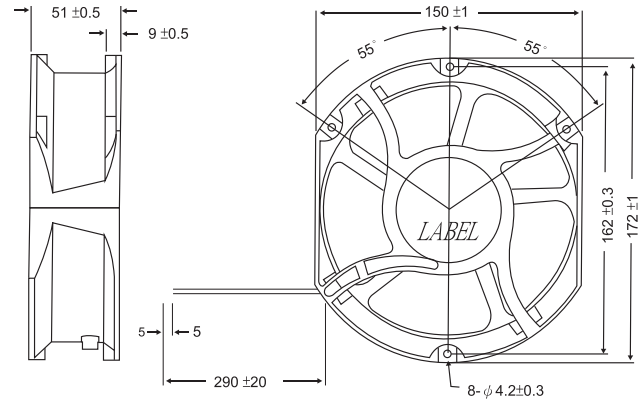
D17251 Series

Size: 172x151x51mm (6.77"x5.94"x2")

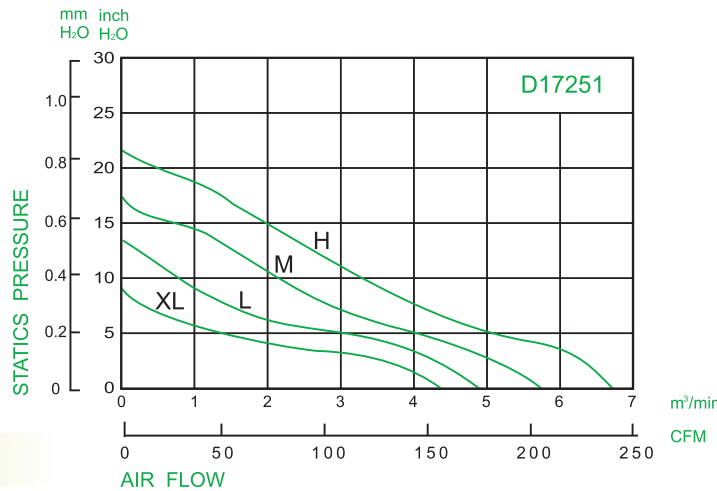
DIMENSION

Unit:mm

HOUSING : Die - Cast Aluminum, Painted Black
 IMPELLER : Thermoplastic PBT, UL94V-0
 BEARING : Ball
 TERMINATION : Lead Wire
 OPERATING TEMPERATURE : -30°C to + 75°C
 INSULATION RESISTANCE : 10 meg Ohms Min. @ 500 VDC
 (Between Frame and Terminal)
 DIELECTRIC STRENGTH : 5 mA Max. at 500 VAC 60 Hz
 for 1 minute
 (Between Frame and Terminal)
 WEIGHT : 792g (27.93 oz.)



AIR PERFORMANCE



SPECIFICATION

MODEL Number	RATED VOLTAGE (V)	RATED CURRENT (A)	INPUT POWER (W)	SPEED (RPM)	MAX. AIR PRESSURE		AIR FLOW		NOISE dB(A) @1M
					mmH ₂ O	InchH ₂ O	CFM	m ³ /min	
	12	1.90	23	3400	20.07	0.79	228	6.46	56
D17251V12M	12	1.40	16.80	3000	15.75	0.62	203	5.75	52
D17251V12L	12	0.85	10.20	2600	11.94	0.47	175	4.96	48
D17251V12XL	12	0.60	7.20	2200	9.14	0.36	149	4.22	43
D17251V24SH	24	0.75	-	4200	-	-	295	-	65
D17251V24H	24	0.87	21	3400	20.07	0.80	228	6.46	56
D17251V24M	24	0.65	16	3000	15.75	0.62	203	5.75	52
D17251V24L	24	0.44	10.50	2600	11.94	0.47	175	4.96	48
D17251V24XL	24	0.30	7.40	2200	9.14	0.36	149	4.22	43
D17251V48H	48	0.50	24	3400	20.07	0.79	228	6.46	56
D17251V48M	48	0.35	17	3000	15.75	0.62	203	5.75	52
D17251V48L	48	0.25	12	2600	11.94	0.47	175	4.96	48
D17251V48XL	48	0.16	8	2200	9.14	0.36	149	4.22	43