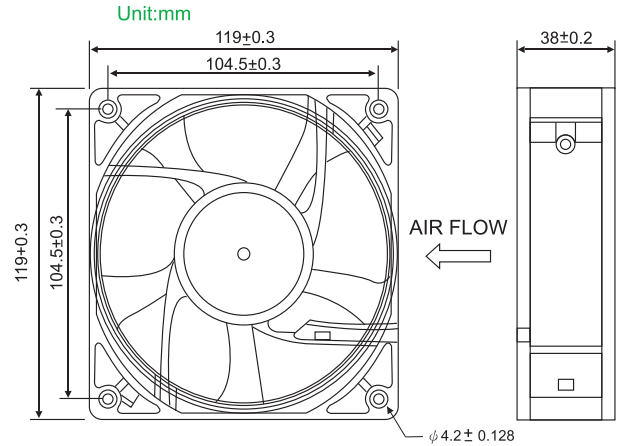


# D12038 Series

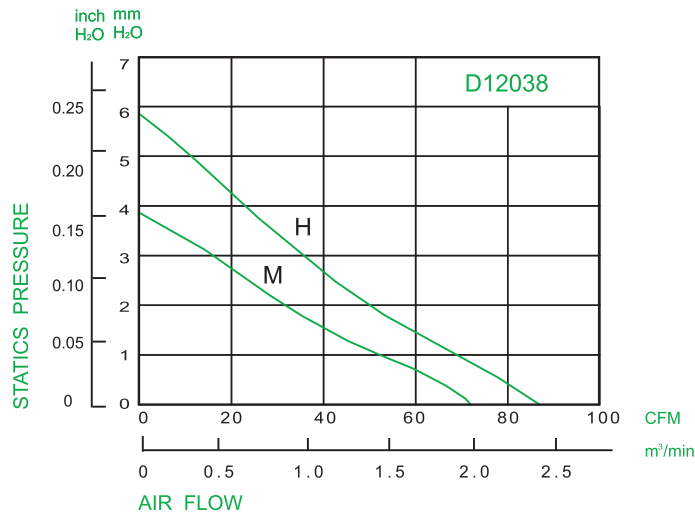
Size: 120x120x38mm (4.72"x4.72"x1.50")

## DIMENSION

HOUSING : Thermoplastic PBT, UL94V-0  
 IMPELLER : Thermoplastic PBT, UL94V-0 BEARING : Sleeve or Ball  
 OPERATING TEMPERATURE : Sleeve Bearing:- 10°C to + 70°C  
 Ball Bearing:- 30°C to + 75°C  
 INSULATION RESISTANCE : 10 meg Ohms Min. @ 500 VDC  
 (Between Frame and Terminal)  
 DIELECTRIC STRENGTH : 5 mA Max. at 500 VAC 60 Hz  
 for 1 minute  
 (Between Frame and Terminal)  
 WEIGHT : 350g (12.34 oz.)



## AIR PERFORMANCE



## SPECIFICATION

MODEL NO.	RATED VOLTAGE (V)	OPERATING VOLTAGE (V)	RATED CURRENT (A)	INPUT POWER (W)	SPEED (RPM)	MAX. AIR PRESSURE		AIR FLOW		NOISE dB(A) @ 1M
						mmH <sub>2</sub> O	InchH <sub>2</sub> O	CFM	m <sup>3</sup> /min	
D12038V12H	12	6.0 - 13.8	0.90	10.80	2800	6.99	0.275	149.64	4.237	48.2
D12038V12M	12	6.0 - 13.8	0.70	8.40	2400	4.97	0.196	119.68	3.389	42.6
D12038V24H	24	12.0 - 27.6	0.50	12.00	2800	6.99	0.275	149.64	4.237	48.2
D12038V24M	24	12.0 - 27.6	0.40	9.60	2400	4.97	0.196	119.68	3.389	42.6
D12038V48H	48	24.0 - 52.8	0.40	19.20	2800	6.99	0.275	149.64	4.237	48.2
D12038V48M	48	24.0 - 52.8	0.30	14.40	2400	4.97	0.196	119.68	3.389	42.6