

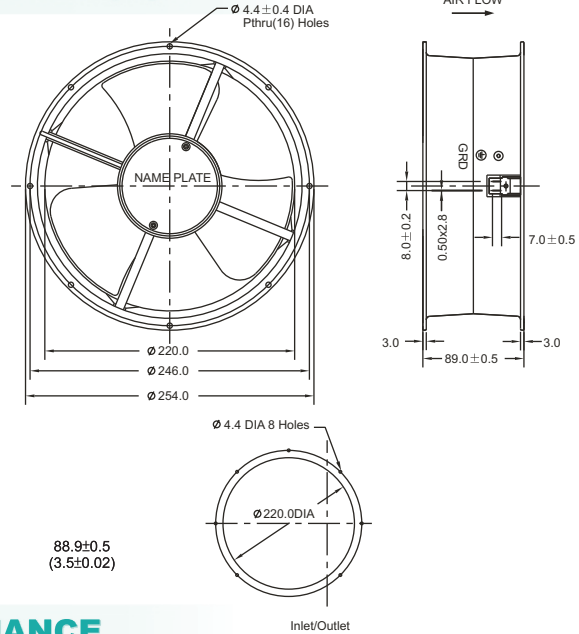


A25089 Series

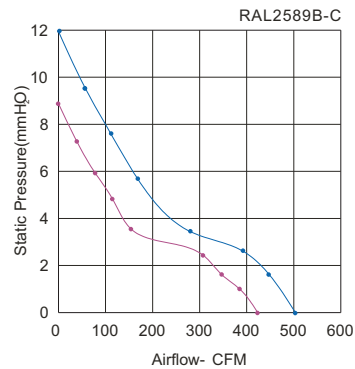
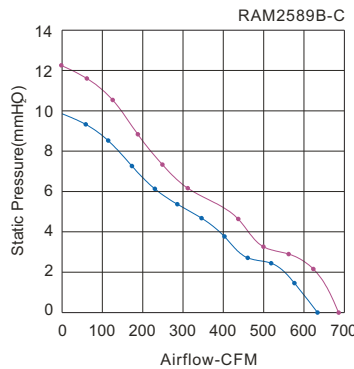
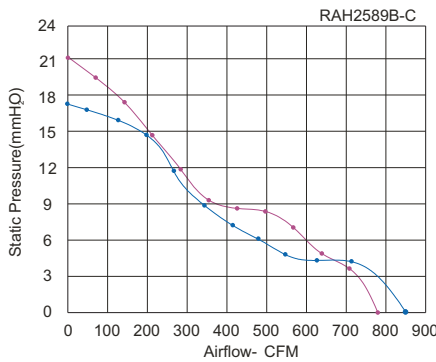
Size: ϕ 254x89mm (ϕ 10"x3.50")

SIZE: 254mmx89mm
 AIR FLOW : 718~1444m³/hr
 WEIGHT : 2150g
 NOISE : 50~60dBA
 FRAME : Aluminum Alloy
 TERMINALS : 0.5mm
 LEAD WIRE : AWG#22 UL 1015
 MOTOR: Capacitor-Run Induction Motor
 SAFETY : UL.CUL.TUV.CE
 OPERATION TEMPERATURE : -10°C~+70°C

DIMENSION



AIR PERFORMANCE



Key
 — 60Hz
 — 50Hz

SPECIFICATION

Model	Bearing System	Voltage VAC	Freq. Hz	Current A	Power W	Speed RPM	Noise dBA	Air Flow		Static Pressure (mmH ₂ O)	Weight Gram
								M ³ /hr	CFM		
A25089V1H	Ball	100~125	50/60	0.80/1.0	87/110	2600/2800	80/88	1325/1444	780/850	21/17	2150
A25089V1M		100~125	50/60	0.58/0.70	65/78	2200/2100	60/59	1160/1084	685/640	12.2/9.8	
A25089V1L		100~125	50/60	0.28/0.30	32/35	1400/1650	52/55	718/855	423/503	8.9/11.9	
A25089V2H		220~240	50/60	0.40/0.55	87/110	2600/2800	80/88	1325/1444	780/850	21/17	
A25089V2M		220~240	50/60	0.29/0.35	65/78	2200/2100	60/59	1160/1084	685/640	12.2/9.8	
A25089V2L		220~240	50/60	0.16/0.17	32/35	1400/1650	52/55	718/855	423/503	8.9/11.9	