

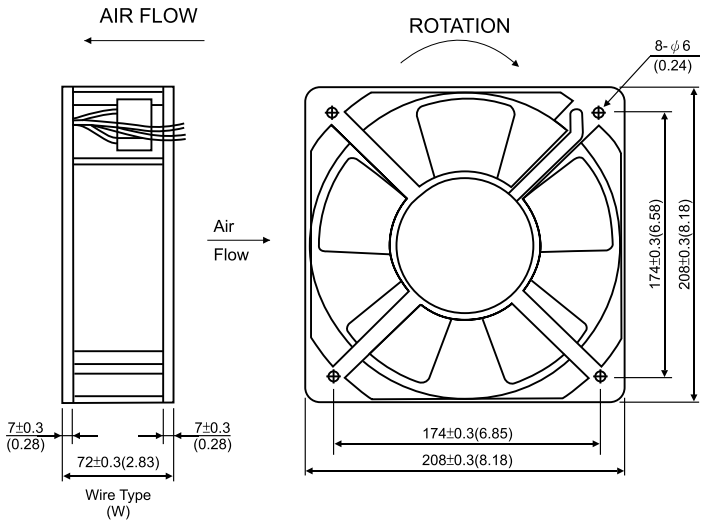


A20872 Series

Size: 208x208x72mm (8.19"x8.19"x2.83")

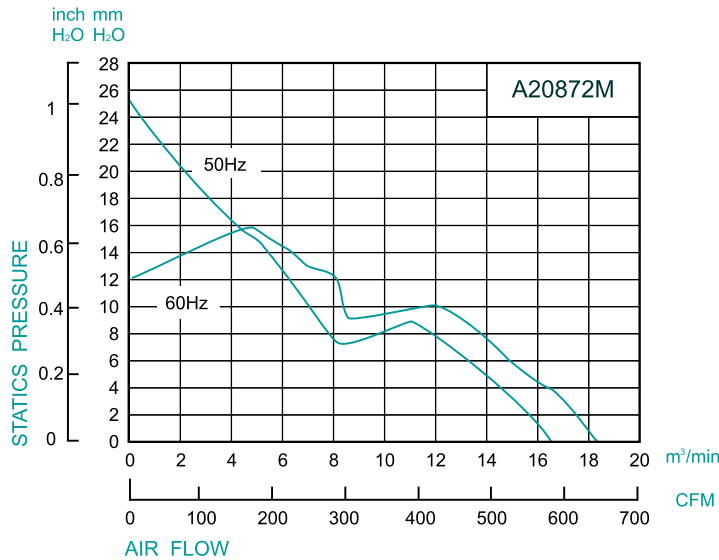
DIMENSION

Unit:mm(inch)



HOUSING : Die - Cast Aluminum, Painted Black
 IMPELLER : Thermoplastic PBT, UL94V - 0
 BEARING : Ball
 TERMINATION : Lead Wire
 DIELECTRIC STRENGTH : 1,500 VAC for 1 minute
 INSULATION : Class B
 INSULATION RESISTANCE : 100,000 Ohms min. @500 VDC
 OPERATING TEMPERATURE : -40°C to + 70°C
 SAFETY : Thermally Protected (Auto Restart)
 WEIGHT : 2.5Kg (5.52 lb)

AIR PERFORMANCE



SPECIFICATION

| MODEL NO. | RATED VOLTAGE (V) | FREQUENCY (Hz) | RATED CURRENT (A) | INPUT POWER (W) | SPEED (RPM) | AIR FLOW | | NOISE dB(A) @ 1M |
|-----------|-------------------|----------------|-------------------|-----------------|-------------|-----------|---------------------|------------------|
| | | | | | | CFM | m ³ /min | |
| A20872V1H | 115 | 50 / 60 | 0.808 / 0.533 | 64 / 97 | 2840 / 3000 | 580 / 650 | 16.50 / 18.50 | 60 / 65 |
| A20872V2H | 230 | 50 / 60 | 0.428 / 0.294 | 68 / 98 | 2840 / 3000 | 580 / 650 | 16.50 / 18.50 | 60 / 65 |