



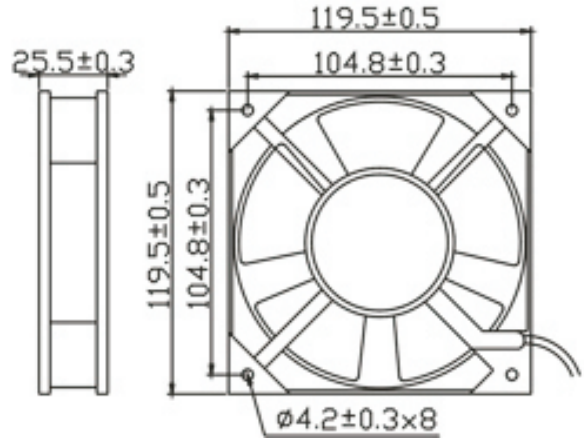
# A12025 Series

Size: 119x119x25mm(4.7"x4.7"x1")

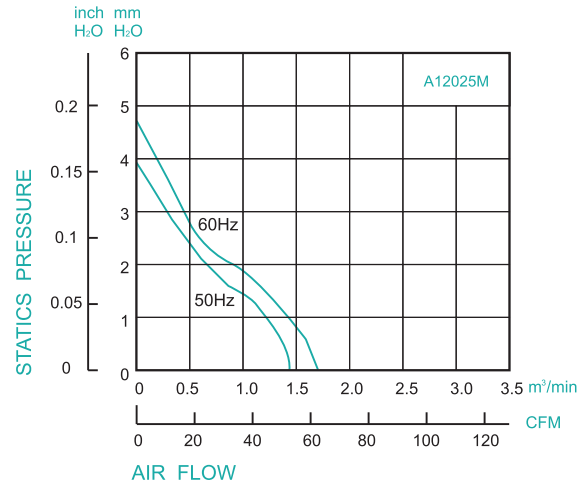
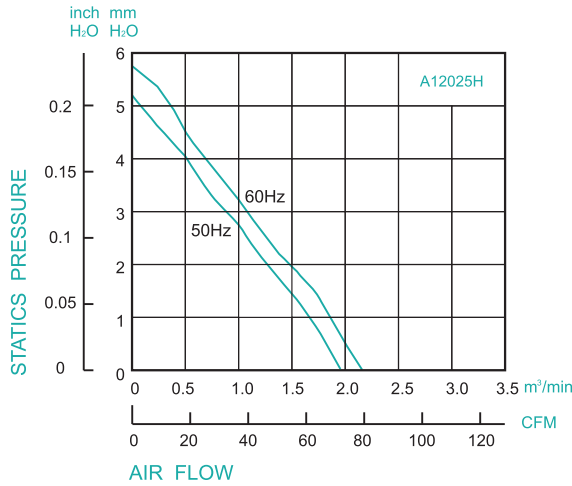
## DIMENSION

HOUSING : Die - Cast Aluminum, Painted Black  
 IMPELLER : Thermoplastic PBT,UL94V-0  
 BEARING : Sleeve or Ball  
 TERMINATION : Terminals or Lead Wire  
 OPERATING VOLTAGE RANGE : 85 VAC to 125 VAC for 115 V Type  
 185 VAC to 245 VAC for 230 V Type  
 DIELECTRIC STRENGTH : 1,500 VAC for 1 minute  
 INSULATION : Class B  
 INSULATION RESISTANCE : 100,000 Ohms min. @500 VDC  
 OPERATING TEMPERATURE : -10°C to + 70°C for Sleeve Type  
 -20°C to + 80°C for Ball Type  
 SAFETY : Impedance Protected  
 WEIGHT : 346g (12 oz.)

Unit:mm(inch)



## AIR PERFORMANCE



## SPECIFICATION

MODEL NO.	RATED VOLTAGE (V)	FREQUENCY (Hz)	RATED CURRENT (A)	INPUT POWER (W)	SPEED (RPM)	AIR FLOW		NOISE dB(A) @1M
						CFM	m <sup>3</sup> /min	
A12025V1H	115	50 / 60	0.15 / 0.12	14 / 11	2600 / 3000	70 / 81	1.90 / 2.20	38 / 42
A12025V1M	115	50 / 60	0.15 / 0.13	8 / 7	1900 / 2200	51 / 61	1.40 / 1.70	31 / 33
A12025V2H	230	50 / 60	0.07 / 0.06	12 / 10	2600 / 3000	70 / 81	1.90 / 2.20	38 / 42
A12025V2M	230	50 / 60	0.07 / 0.06	8 / 7	1900 / 2200	51 / 61	1.40 / 1.70	31 / 33
A12025V2L	230	50 / 60	0.035 / 0.03	7 / 6	1700 / 1900	46 / 51	1.30 / 1.40	29 / 31